



## 350Z Upgraded Hatch Strut Kit Installation Manual



### **PROLOGUE:**

Study these instructions completely and thoroughly before proceeding to assemble. Installation can be completed using common tools and automotive procedures. The installer must have a thorough knowledge of automotive systems operation. If unfamiliar with any of the concepts outlined in this instruction, we recommend the installation be completed by a qualified professional.

**WARNING!** Extreme caution should be taken when performing ANY maintenance or performance upgrades to your vehicle. Please observe and abide by any Warning or Caution labels placed on the various components and tools used when servicing your vehicle. If you have any questions regarding the installation or the various components included with the Z1 Motorsports Upgraded Hatch Strut Kit, consult with a Professional Mechanic or contact Z1 Motorsports for more information.

## **Parts List:**

- Z1 Lower Mounting Plate (2 pcs)
- Hatch Strut Assembly (2 pcs, includes upper mounting stud and socket ends)
- Locking Pin (2 pcs)

## **Tools Required:**

- 12mm open end wrench
- 10mm Socket
- Ratchet
- Hatch support (anything or anyone who will support Hatch safely while Struts are replaced).

## **Safety Requirements:**

- Always wear safety glasses and any necessary protective garments. If using any fluids, chemicals, or solvents, a respirator is recommended.
- Always turn the ignition to the OFF position and disconnect the NEGATIVE battery terminal.

## **\*BEFORE YOU BEGIN!**

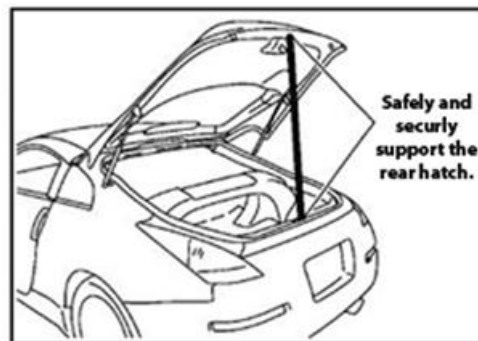
*Remove contents from the Z1 Motorsports 350Z Upgraded Hatch Struts Kit and verify that ALL necessary hardware is present.*

## **Installation:**

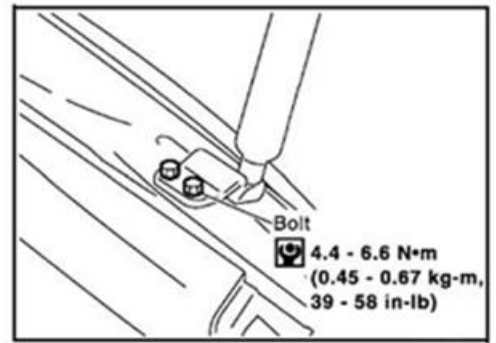
1. Unlatch, raise, and safely support Rear Hatch (as shown).
2. Remove Upper Strut Ball End Stud from Hatch side.

Note: Ball End does not separate from OEM Strut.

3. Remove (2) 10mm bolts attaching Lower Hatch Strut Mounting Plate to Chassis.
4. Remove OEM Hatch Strut Assembly.
5. Locate Z1 Lower Mounting Plate. Swap OEM fasteners and gasket to new mounting plate.



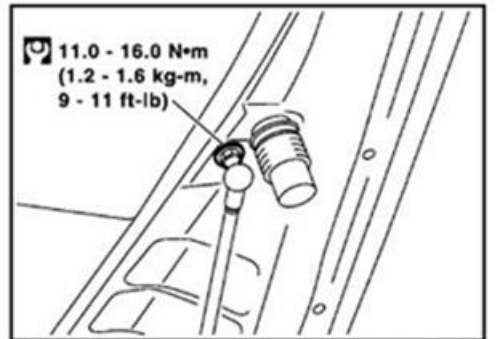
6. Position Z1 Lower Mounting Plate onto Chassis. Insert OEM fasteners through plate and thread into Chassis. Tighten to 39-58 in-lbs (as shown).



**Note:** Assure that Lower Mounting Plate is installed facing downward (as shown).



7. Locate Z1 Hatch Strut Assembly. Thread Upper Strut Ball End Stud into Hatch at OEM location. Tighten to 9-11 ft-lbs (as shown).



8. Install Socket End of Hatch Strut onto the Z1 Lower Mounting Plate.

**Note:** Lift up slightly on Hatch for Socket End to slide over Lower Mounting Plate Ball. If Socket End is not oriented in line to snap onto Mounting Plate Ball, simply rotate Lower Strut Housing until aligned.

**Note:** Socket End of Hatch Strut Assembly should **'snap'** onto Ball. Tap back of Assembly onto Ball until snaps into place.

9. Install Locking Pin. See diagram below:

- a. Insert Locking Pin "B" through hole on Assembly "A".
- b. Rotate Locking Pin and snap into place, locking assembly.

Note: Do not bend Locking Pin.



10. Repeat steps # 2-9 for opposite side Hatch Strut Assembly.

11. Slowly Lower 350Z Hatch. Check for fitment and smooth operation.

**End**

**Additional Technical Support:**

Contact Z1 Motorsports at [info@z1motorsports.com](mailto:info@z1motorsports.com)  
Or call 770 838 7777 between 9am and 6pm ET