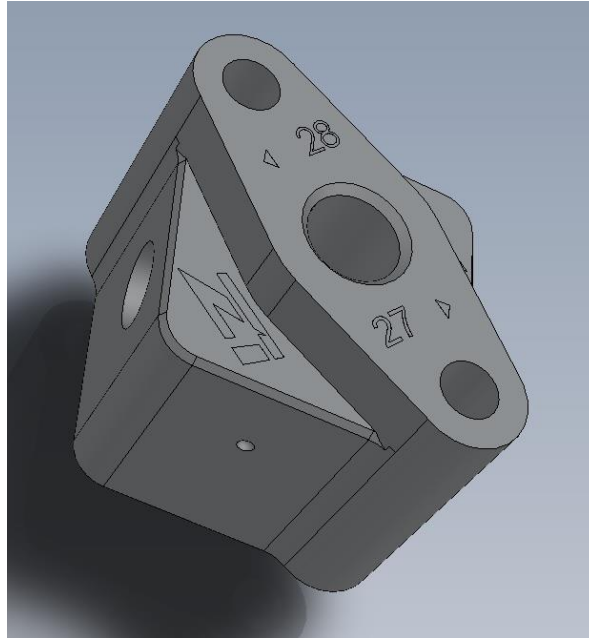




Z1 Motorsports 2877 Carrollton - Villa Rica Hwy Carrollton GA 30116 770.838.7777

VQ Fuel Port Installation Manual



NOTE: This product may require modification or removal of the Plastic Engine Cover.

NOTE: Z1 VQ Fuel Port threads are sealed with Loctite #567 Thread Sealant. Cleaning and re-application of Thread Sealant is required once seal is broken. Assure that Thread Sealant is resistant to gasoline, and follow the directed cure time. Should the cure time not be stated, wait 24 hours after Thread Sealant is applied before exposing to gasoline. Do NOT use Teflon Tape.

PROLOGUE: Study these instructions completely and thoroughly before proceeding to assemble. Installation can be completed using common tools and automotive procedures. The installer must have a thorough knowledge of automotive systems operation. If unfamiliar with any of the concepts outlined in this instruction, we recommend the installation be completed by a qualified professional.

WARNING! Extreme caution should be taken when performing ANY maintenance or performance upgrades to your vehicle. Please observe and abide by any Warning or Caution labels placed on the various components and tools used when servicing your vehicle. If you have any questions regarding the installation or the various components included with the Z1 Motorsports VQ Fuel Port, consult with a Professional Mechanic or contact Z1 Motorsports for more information.

Parts Included:

Item	Quantity	Description
1	1	Z1 Fully-Assembled VQ Fuel Port
2	2	M6-1.0 x 50mm Flange Head Bolt
3	1	Installation Manual

Additional Parts (optional):

-38mm (1.5") diameter Mechanical Fuel Pressure Gauge

Tools Needed:

- Ratchet
- Ratchet Extension (minimum 6")
- 10mm Socket
- Cloth
- Disposable Gloves
- Torque Wrench

Safety Requirements:

- Always wear safety glasses and any necessary protective garments. If using any fluids, chemicals, or solvents, a respirator is recommended.
- Always turn the ignition to the OFF position and disconnect the **NEGATIVE** battery terminal.
- Always keep limbs and parts away from moving drivetrain parts.
- Only operate drivetrain in safe space and well ventilated areas.
- Keep fuel away from heat or sources of ignition.

Installation:

****BEFORE YOU BEGIN!***

Remove contents from the Z1 Motorsports VQ Fuel Port and verify that ALL necessary hardware is present.

1. Assure the car's engine is turned off and place transmission in Park position (or in Reverse gear if equipped with a manual transmission). Apply Parking Brake.
2. Unlatch and raise Hood of vehicle.
3. Remove Plastic Engine Cover and Fasteners (if applicable).

4. Locate OEM Fuel Dampener. See picture below for reference:

DE Engine



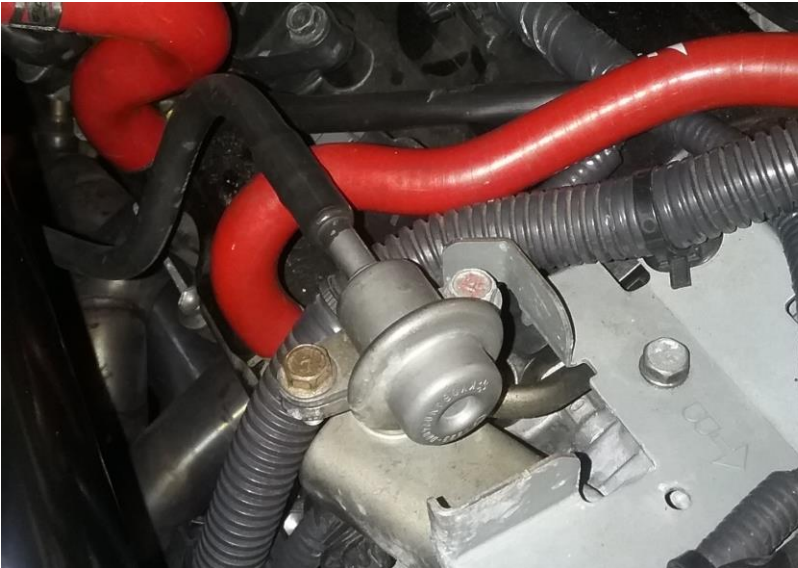
HR / VHR Engine



5. Loosen (2) Bolts which attach Fuel Dampener to Fuel Rail.

Note: Fuel System is pressurized. Wrap Dampener with Cloth to capture fuel which escapes once Fuel System is opened.

6. Lift Fuel Dampener away from Fuel Rail.



7. Locate Z1 VQ Fuel Port. Carefully insert bottom of Fuel Port into Fuel Rail (as shown). Align mounting holes of Fuel Port with threads of Fuel Rail.

Note: Orient threads you wish to utilize facing away from engine.

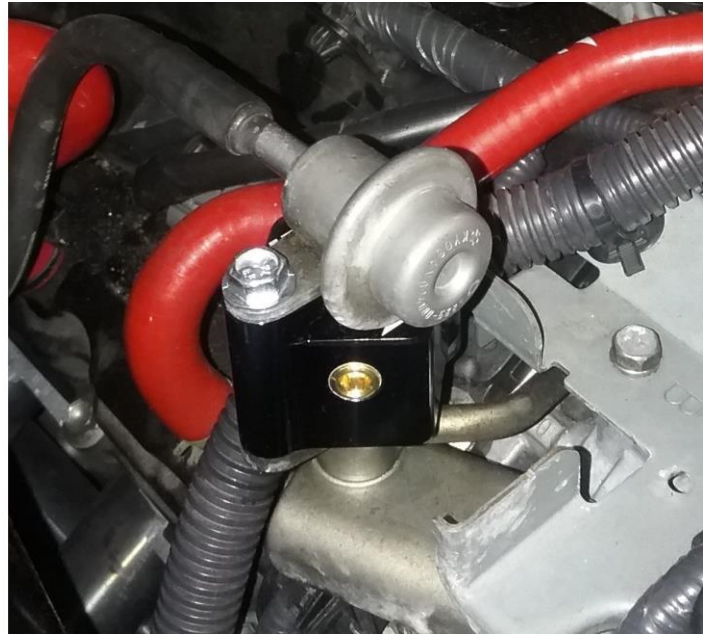
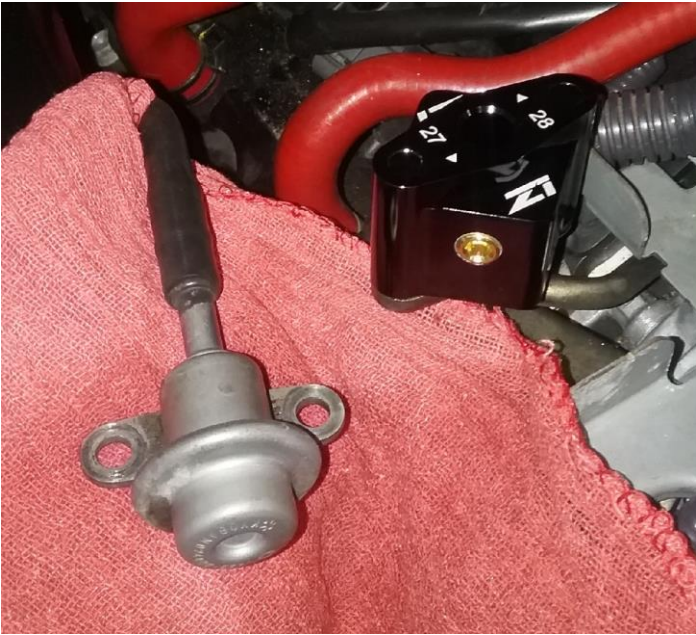
Note: Assure that O-Ring at bottom of Fuel Port does not become damaged during installation.

8. Carefully insert OEM Fuel Dampener to top of Fuel Port (as shown).

Note: Orient mounting holes of Dampener with mounting holes of Fuel Rail.

Note: Assure that O-Ring at bottom of Dampener does not become damaged during installation.

9. Insert (2) M6-1.0 x 50mm Bolts through OEM Fuel Dampener and Fuel Port. Thread into Fuel Rail. Torque to 74 inch-pounds.



10. Start Engine. Inspect for signs of fuel leak.

Note: Turn off Engine immediately if fuel leakage is present.

11. Modify and Re-install Plastic Engine Cover (optional).
12. Lower and Latch Hood of vehicle
13. Perform a final test drive of the vehicle

End

Additional Technical Support:
Contact Z1 Motorsports at info@z1motorsports.com
Or call 770 838 7777 between 9am and 6pm ET